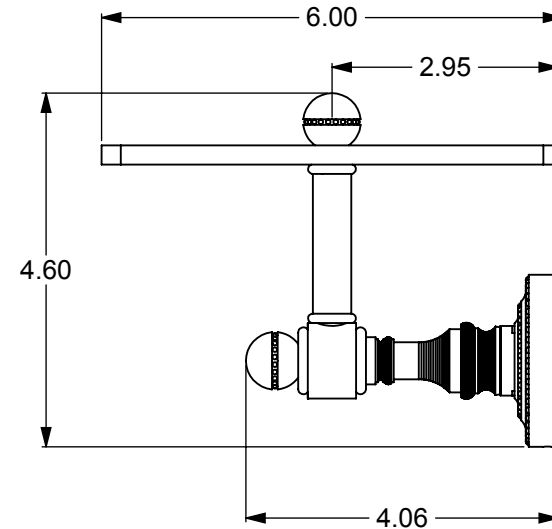
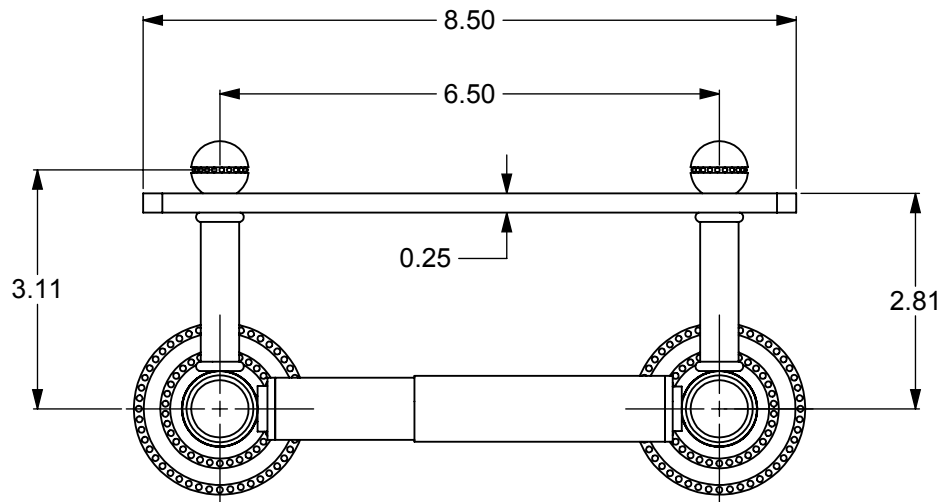
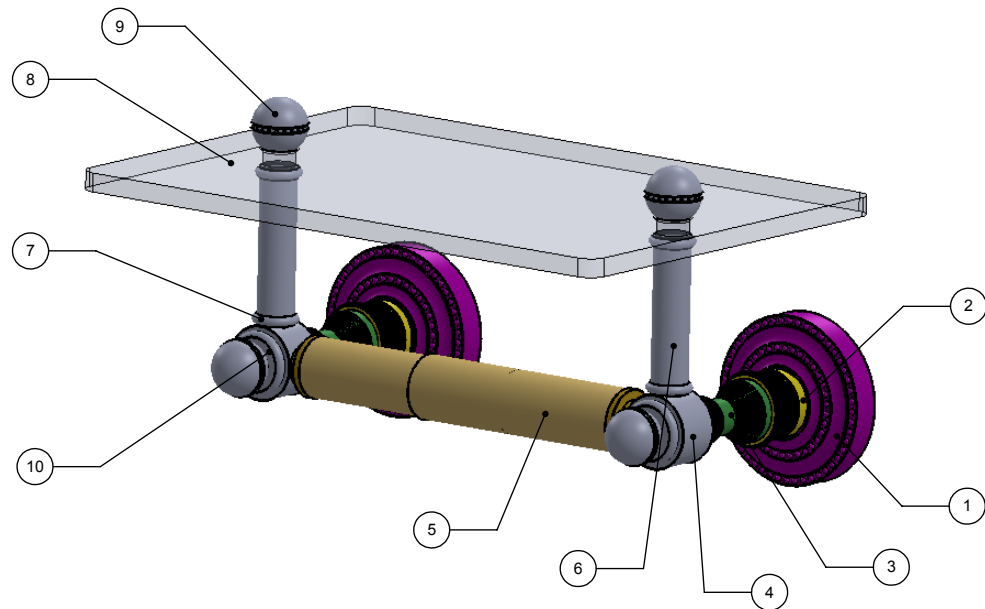


ITEM NO.	P/N	DESCRIPTION	QTY.
1	BPDT	BACKPLATE	2
2	NKSL-58	NECK BASE	2
3	NKSL-1.25	NECK	2
4	HB1T-1	HUB	2
5	RLB-SET	ROLLER SET	1
6	TU12-2	TUBE-2	2
7	CRRD-12	CHECK RING 0.5	4
8	GL-24	GLASS	1
9	BLDT1T-34	TOP BALL	4
10	CRRD-34	CHECK RING 0.75	4

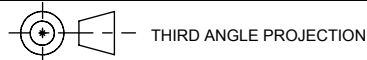


NOTE:
1. UNIT IS IN INCHES.


UNLESS OTHERWISE STATED

.X	±.3mm
.XX	±.15mm
.XXX	±.008mm

COPYRIGHT © Allied Brass 2015



DRAWN	1-13-15	I.M
CHECKED	1-13-15	P.D
APPROVED	1-13-15	R.A

MATERIAL:	BRASS		FINISH	TBD
DESCRIPTION:	Toilet Paper Holder		QUANTITY	TBD
			DRAWING No.	
			DT-GLT-24	
SCALE		1:2.5	SHEET: 01	A4